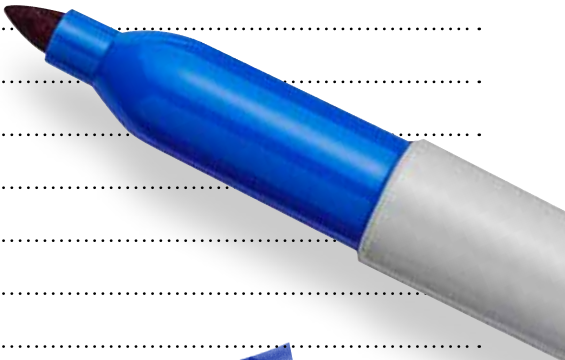


January

1 Saturday

1-364

New Year's Day

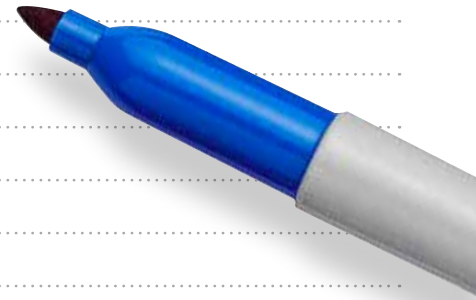


NEW YEAR
FRESH START

What's possible for
trade only?



NEW YEAR FRESH START



The new year begins!

For most of us, going back to work in January gives us an opportunity to look to the year ahead. This fresh thinking opens up a world of opportunities. Do we change things up or plough on like we never left? What is possible in the year ahead? At Plumbers Choice we will face the year with renewed vigour off the back of a year that saw strong growth in the Trade Only sector. Plumbers Choice is the fastest growing plumbing supplies in the country.

Maybe the new year is a time for plumbers who have not used us before to get on board. Every time you buy from a Trade Only supplier you are investing in the value of your trade and your licence. You are also making the community safer by reducing the chances of illegal and dangerous plumbing and gasfitting.

We look forward to growing with you and your business in the new year.

LUKE BOLTON DIRECTOR, PLUMBERS CHOICE

HOW TO ORDER



Online - 24 hours
www.plumberschoice.com.au



Email - 24 hours
sales@plumberschoice.com.au



Phone - Business Hours
(03) 9720 8274
Our knowledgeable staff will take your order.



At our Trade Outlets
Monday - Friday
489 Mountain Highway, Bayswater, VIC 3153
4/200 Woodpark Road, Smithfield, NSW 2164



Personal Sales Rep
Your personal Sales Representative is able to tailor our service to suit your needs.



**Shop
Trade Only
from the palm
of your hand!**

COPPER & BRASS LARGE PRESS FITTINGS

32-50mm



ALWAYS
IN STOCK



PRESS GAS FITTINGS

CODE	SIZE
Press Gas Coupling	
7952	Press Gas Coupling 32mm
7953	Press Gas Coupling 40mm
7954	Press Gas Coupling 50mm
Press Gas Slip Repair Coupling	
7955	Press Gas Slip Repair Coupling 32mm
7956	Press Gas Slip Repair Coupling 40mm
7957	Press Gas Slip Repair Coupling 50mm
Press Gas Reducing Coupling F/F	
7958	Press Gas Reducing Coupling 32 x 20mm F/F
7959	Press Gas Reducing Coupling 32 x 25mm F/F
7960	Press Gas Reducing Coupling 40 x 25mm F/F
7961	Press Gas Reducing Coupling 40 x 32mm F/F
7962	Press Gas Reducing Coupling 50 x 25mm F/F
7963	Press Gas Reducing Coupling 50 x 32mm F/F
7964	Press Gas Reducing Coupling 50 x 40mm F/F
Press Gas Reducer M/F	
7965	Press Gas Reducer 32 x 20mm M/F
7966	Press Gas Reducer 32 x 25mm M/F
7967	Press Gas Reducer 40 x 25mm M/F
7968	Press Gas Reducer 40 x 32mm M/F
7969	Press Gas Reducer 50 x 25mm M/F
7970	Press Gas Reducer 50 x 32mm M/F
7971	Press Gas Reducer 50 x 40mm M/F
Press Gas Elbow F/F 90°	
7972	Press Gas Elbow 32mm x 90 F/F
7973	Press Gas Elbow 40mm x 90 F/F
7974	Press Gas Elbow 50mm x 90 F/F
Press Gas Elbow F/F 45°	
7975	Press Gas Elbow 32mm x 45 F/F
7976	Press Gas Elbow 40mm x 45 F/F
7977	Press Gas Elbow 50mm x 45 F/F
Press Gas Tee	
7978	Press Gas Tee 32mm
7979	Press Gas Tee 40mm
7980	Press Gas Tee 50mm
Press Gas Tee Reducing	
7981	Press Gas Tee 32 x 32 x 20
7982	Press Gas Tee 32 x 32 x 25
7983	Press Gas Tee 40 x 40 x 20
7984	Press Gas Tee 40 x 40 x 25
7985	Press Gas Tee 40 x 40 x 32
7986	Press Gas Tee 50 x 50 x 25
7987	Press Gas Tee 50 x 50 x 32
7988	Press Gas Tee 50 x 50 x 40
Press Gas End Cap	
7989	Press Gas End Cap 32mm
7990	Press Gas End Cap 40mm
7991	Press Gas End Cap 50mm
Press Gas Adaptor MI	
7992	Press Gas Adaptor 32mm x 32MI
7993	Press Gas Adaptor 40mm x 40MI
7994	Press Gas Adaptor 50mm x 50MI
Press Gas Adaptor FI	
7995	Press Gas Adaptor 32mm x 32FI
7996	Press Gas Adaptor 40mm x 40FI
7997	Press Gas Adaptor 50mm x 50FI

PRESS WATER FITTINGS

CODE	SIZE	CODE	SIZE
Press Water Coupling		Press Water Elbow M/F 90°	
7901	Press Water Coupling 32mm	7927	Press Water Elbow 32mm x 90 M/F
7902	Press Water Coupling 40mm	7928	Press Water Elbow 40mm x 90 M/F
7903	Press Water Coupling 50mm	7929	Press Water Elbow 50mm x 90 M/F
Press Water Slip Repair Coupling		Press Water Elbow F/F 45°	
7904	Press Water Slip Repair Coupling 32mm	7930	Press Water Elbow 32mm x 45 F/F
7905	Press Water Slip Repair Coupling 40mm	7931	Press Water Elbow 40mm x 45 F/F
7906	Press Water Slip Repair Coupling 50mm	7932	Press Water Elbow 50mm x 45 F/F
Press Water Reducing Coupling F/F		Press Water Tee	
7907	Press Water Reducing Coupling 32 x 20mm F/F	7933	Press Water Tee 32mm
7908	Press Water Reducing Coupling 32 x 25mm F/F	7934	Press Water Tee 40mm
7909	Press Water Reducing Coupling 40 x 20mm F/F	7935	Press Water Tee 50mm
7910	Press Water Reducing Coupling 40 x 25mm F/F	Press Water Tee Reducing	
7911	Press Water Reducing Coupling 40 x 32mm F/F	7936	Press Water Tee 32 x 32 x 20
7912	Press Water Reducing Coupling 50 x 20mm F/F	7937	Press Water Tee 32 x 32 x 25
7913	Press Water Reducing Coupling 50 x 25mm F/F	7938	Press Water Tee 40 x 40 x 25
7914	Press Water Reducing Coupling 50 x 32mm F/F	7939	Press Water Tee 40 x 40 x 32
7915	Press Water Reducing Coupling 50 x 40mm F/F	7940	Press Water Tee 50 x 50 x 25
Press Water Reducer M/F		7941	Press Water Tee 50 x 50 x 32
7916	Press Water Reducer 32 x 20mm M/F	7942	Press Water Tee 50 x 50 x 40
7917	Press Water Reducer 32 x 25mm M/F	Press Water End Cap	
7918	Press Water Reducer 40 x 20mm M/F	7943	Press Water End Cap 32mm
7919	Press Water Reducer 40 x 25mm M/F	7944	Press Water End Cap 40mm
7920	Press Water Reducer 40 x 32mm M/F	7945	Press Water End Cap 50mm
7921	Press Water Reducer 50 x 25mm M/F	Press Water Adaptor MI	
7922	Press Water Reducer 50 x 32mm M/F	7946	Press Water Adaptor 32mm x 32MI
7923	Press Water Reducer 50 x 40mm M/F	7947	Press Water Adaptor 40mm x 40MI
Press Water Elbow F/F 90°		7948	Press Water Adaptor 50mm x 50MI
7924	Press Water Elbow 32mm x 90 F/F	Press Water Adaptor FI	
7925	Press Water Elbow 40mm x 90 F/F	7949	Press Water Adaptor 32mm x 32FI
7926	Press Water Elbow 50mm x 90 F/F	7950	Press Water Adaptor 40mm x 40FI
		7951	Press Water Adaptor 50mm x 50FI



PRESS GAS FITTINGS



PRESS GAS COUPLING

CODE	SIZE	PRICE
8639	15mm	\$6.26
8640	20mm	\$8.04
8641	25mm	\$13.75



PRESS GAS SLIP REPAIR COUPLING

CODE	SIZE	PRICE
8642	15mm	\$6.00
8643	20mm	\$7.54
8644	25mm	\$11.69



PRESS GAS ELBOW F/F 90°

CODE	SIZE	PRICE
8645	15mm x 90	\$7.44
8646	20mm x 90	\$9.72
8647	25mm x 90	\$17.86



PRESS GAS ELBOW F/F 45°

CODE	SIZE	PRICE
8648	20mm x 45	\$11.60
8649	25mm x 45	\$15.46



PRESS GAS REDUCING COUPLING F/F

CODE	SIZE	PRICE
8650	20mm x 15mm	\$11.11
8651	25mm x 20mm	\$13.70



PRESS GAS REDUCER M/F

CODE	SIZE	PRICE
8652	20mm x 15mm	\$9.71
8653	25mm x 20mm	\$13.12



PRESS GAS TEE

CODE	SIZE	PRICE
8654	15mm	\$8.59
8655	20mm	\$14.81
8656	25mm	\$23.15



PRESS GAS TEE REDUCING

CODE	SIZE	PRICE
8657	20 x 20 x 15	\$15.29
8658	25 x 25 x 15	\$23.52
8659	25 x 25 x 20	\$26.00



PRESS GAS END CAP

CODE	SIZE	PRICE
8660	15mm	\$8.10
8661	20mm	\$9.13
8662	25mm	\$16.08



PRESS GAS ELBOW LUGGED

CODE	SIZE	PRICE
8663	15mm x 15FI	\$18.40
8664	20mm x 20FI	\$20.12



BLOCKHEAD PRESS GAS ELBOW LUGGED (90MM)

CODE	SIZE	PRICE
8698	15mm x 15MI	\$18.40



PRESS GAS ADAPTOR MI

CODE	SIZE	PRICE
8666	15mm x 15MI	\$5.51
8667	20mm x 20MI	\$13.59
8668	25mm x 25MI	\$21.39



PRESS GAS ADAPTOR FI

CODE	SIZE	PRICE
8669	15mm x 15FI	\$7.44
8670	20mm x 20FI	\$11.32
8671	25mm x 25FI	\$15.43

25 YEAR WARRANTY*

Brasshards is proud to offer a 25 year warranty against defects and manufacturing faults in CuPress fittings (when installed in accordance with national, state and local plumbing codes by a licensed plumber). Issues arising from incorrect installation, misuse or environmental elements are not covered by this warranty. Please contact Brasshards for a copy of our full warranty document.

PRESS WATER FITTINGS



PRESS WATER COUPLING

CODE	SIZE	PRICE
8601	15mm	\$4.14
8602	20mm	\$6.13
8603	25mm	\$8.70



PRESS WATER SLIP REPAIR COUPLING

CODE	SIZE	PRICE
8604	15mm	\$4.69
8605	20mm	\$6.95
8606	25mm	\$10.52



PRESS WATER ELBOW F/F 90°

CODE	SIZE	PRICE
8607	15mm x 90	\$4.69
8608	20mm x 90	\$7.18
8609	25mm x 90	\$13.24



PRESS WATER ELBOW F/F 45°

CODE	SIZE	PRICE
8610	15mm x 45	\$5.86
8611	20mm x 45	\$8.08
8612	25mm x 45	\$14.87



PRESS WATER ELBOW M/F 90°

CODE	SIZE	PRICE
8681	15mm	\$5.41
8682	20mm	\$7.11



PRESS WATER REDUCING COUPLING F/F

CODE	SIZE	PRICE
8613	20mm x 15mm	\$9.38
8614	25mm x 20mm	\$15.99



PRESS WATER REDUCER M/F

CODE	SIZE	PRICE
8615	20mm x 15mm	\$8.41
8616	25mm x 20mm	\$11.94



PRESS WATER END CAP

CODE	SIZE	PRICE
8623	15mm	\$7.43
8624	20mm	\$9.00
8625	25mm	\$17.63



PRESS WATER TEE

CODE	SIZE	PRICE
8617	15mm	\$7.23
8618	20mm	\$10.90
8619	25mm	\$20.21



PRESS WATER TEE REDUCING

CODE	SIZE	PRICE
8620	20 x 20 x 15	\$13.51
8621	25 x 25 x 15	\$19.12
8622	25 x 25 x 20	\$22.96
8683	20 x 15 x 15	\$17.84
8684	20 x 15 x 20	\$18.77



PRESS WATER ELBOW LUGGED

CODE	SIZE	PRICE
8626	15mm x 15FI	\$13.36
8627	20mm x 20FI	\$19.05



BLOCKHEAD PRESS WATER ELBOW LUGGED (90MM)

CODE	SIZE	PRICE
8699	15mm x 15MI	\$16.35



PRESS WATER ELBOW FI

CODE	SIZE	PRICE
8629	15mm x 15FI	\$14.77
8630	20mm x 20FI	\$17.88



PRESS WATER ELBOW MI

CODE	SIZE	PRICE
8631	15mm x 15MI	\$14.23
8632	20mm x 20MI	\$17.89



PRESS WATER ELBOW UNION

CODE	SIZE	PRICE
8687	15mm x 1/2"	\$9.03
8688	20mm x 3/4"	\$13.64



PRESS WATER ADAPTOR MI

CODE	SIZE	PRICE
8633	15mm x 15MI	\$6.94
8680	15mm x 20MI	\$10.60
8634	20mm x 20MI	\$11.47
8635	25mm x 25MI	\$20.52



PRESS WATER ADAPTOR FI

CODE	SIZE	PRICE
8636	15mm x 15FI	\$6.59
8637	20mm x 20FI	\$8.41
8638	25mm x 25FI	\$14.99



PRESS UNION

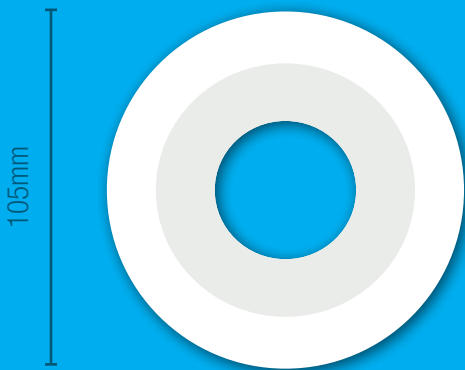
CODE	SIZE	PRICE
8685	Loose Nut 15mm x 15mm Press (Flat Seat)	\$11.61
8679	Loose Nut 20mm x 20mm Press (Flat Seat)	\$11.75
8689	Loose Nut Compression 20mm x 20mm Press (Flat Seat)	\$10.54

- Flame-free
- Permanent V-Profile press join
- All fittings comply with Australian Standards AS3688



BULK SPECIAL

COVER PLATES



STRETCHES OVER 40mm - 60mm PIPE

- Multi-fit Cupboard Plate Fits 4 sizes!
- Flexible centre
- For a professional finish inside the cupboard
- Suits 40mm DWV to 50mm socket
- Fits tight to pipe
- Ant proof
- Size: 105mm



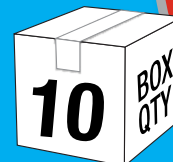
ONLY
\$99.00
INC. GST

CODE: 9968



DISHWASHER COVER PLATE

- Leave a neat finish in the cupboard
- Fits over the solenoid valve
- Keeps pests out



ONLY
\$99.00
INC. GST

CODE: 1792

Valid until Feb 28th 2022



MULTI PURPOSE COVER PLATE

Suitable for Washing Machines & Dishwashers

- Leave a neat finish in the cupboard
- Keeps pests out
- Covers a hole in the cupboard up to 120mm x 115mm
- Fits hot & cold hoses, power cord, Optional outlet hose cap

Code: 1796



"For the professional plumber"



FOR USE ON A DISHWASHER INSTALLATION

As per above but
leave the white
cap in place.



RECYCLED WATER KITS

RECYCLED WATER ROUGH IN KIT

FOR EASE AT ROUGH IN STAGE

KIT INCLUDES:

- 5/8" Male 180mm x 3/4" BSP Female Extended Lugged Elbow
- 5/8" Male x 3/4" BSP Female 19BP Lugged Elbow 90mm Long
- 2 x 5/8" Brass Cap
- Commonly installed within Victoria

CODE: 4911



RECYCLED WATER FIT OFF KIT



KIT INCLUDES:

- 5/8" Female Hose Bib Anti-Vandal
- Anti-Vandal Key
- Cover Plate & Sign
- 5/8" Female X 3/4" Male Washing Machine Stop
- Cover plate
- 3/4" Plastic Cap With Washer To Suit Washing Machine Stop
- Commonly installed within Victoria

CODE: 4912



RECYCLED WATER KIT

HOSE TAP WITH ELBOW 18mm

- 5/8" Female Hose Bib Anti-Vandal
- 5/8" Male 180mm x 3/4" BSP Female Extended Lugged Elbow
- Includes: 5/8" Brass Cap, Anti-Vandal Key, Cover plate & Sign
- L/H Thread
- Commonly installed within Victoria

CODE: 4915



RECYCLED WATER DO NOT DRINK METAL SIGN

LILAC ON WHITE 100x75mm



- Commonly Used NSW, VIC
- Metal 100mm x 75mm
- Recycled Do Not Drink

CODE: 2522

RECYCLED HOSE COCK KIT

WITH HOSE ADAPTOR, KEY & SIGN

- 3/4" Male Hose Bib Anti-Vandal
- Includes: Hose Adaptor, Anti-Vandal Key & Sign
- Commonly installed within NSW

CODE: 4914



RECYCLED WASHING MACHINE KIT

- 5/8" Female X 3/4" Male Washing Machine Stop
- 5/8" Male x 3/4" BSP Female 19BP Lugged Elbow 90mm Long
- Includes: 5/8" Brass Cap, Cover plate

CODE: 4916



RECYCLED LOOSE NUT WASHING MACHINE KIT

With Lugged Elbow 90mm

- 5/8" Female X 3/4" Male Loose Nut Washing Machine Stop
- 5/8" Male x 3/4" BSP Female 19BP Lugged Elbow 90mm Long
- Includes: 5/8" Brass Cap, Cover plate

CODE: 4917



plumtool™

TIGHTEN BASIN & SINK MIXERS FAST

IDEAL
FOR TIGHT
SPACES

Flexible shaft for
tight spaces



Extra long
sockets (120mm)

FLEXIBLE MIXER TAP DRIVER KIT

Kit Contains:

- 3/8 Flexible Drive (200mm long)
- 3/8 Hex Adaptor (40mm long)
- 3/8 Drive Socket Set;
9mm x 120mm, 10mm x 120mm,
11mm x 120mm, 12mm x 120mm,
13mm x 120mm



\$119.20 INC. GST

Code: 9828

100 PIECE CISTERN WASHER KIT



\$145.¹⁹
INC. GST



**FAR MORE
COST EFFECTIVE
THAN CARDED
WASHERS**

CISTERN WASHER KIT

- Contains 12 types of the most common washers
- Never run out of cistern washers again
- Great value

Code: 6687

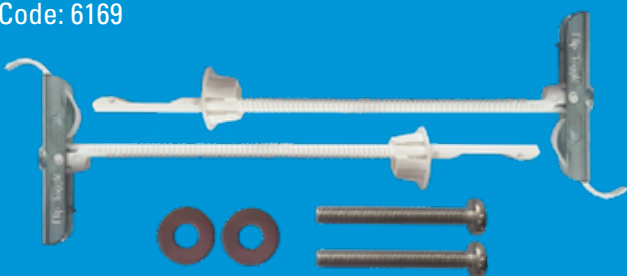
Toilet Seat Fixing

- Top/Blind fixing toilet seat anchor kit
- Includes stainless steel bolts and washers
- Easy to fit



**FOR
BLIND
FIXINGS**

\$31.⁶³
INC. GST
Code: 6169



Fluidmaster®

Pro Series Cistern Inlet Valve PR045

- Ultra-quiet
- Fast refill
- Reduces water hammer



Code: 2099





MONACO™

Universal Cistern with Link and Seat

Code: 2090

**Upgrade to the Brand
Trusted by Professionals and
Toilet Manufacturers Worldwide**

- Extra Easy Install Features Built-in
- 4.5/3L Dual Flush Technology
- Simple Flush Volume Conversion to 6/3L or 9/4.5L
- Plastic Cistern with Bottom Inlet
- UV Resistant – Certified
- Saves Water



YEAR WARRANTY

EQUIPPED WITH FLUIDMASTER TECHNOLOGY



**Inlet Valve
400UK063**



**Outlet Valve
560AU02**



FLUIDMASTER PRO CISTERN

Most Powerful Flush System
Adjustable up to 9/4.5L PRO Cistern
with Link and Seat



- 4.5/3L Dual Flush Technology
- Simple Flush Volume Conversion to 6/3L or 9/4.5L
- UV Resistant – Certified
- Plastic Cistern with Bottom Inlet
- Saves Water
- **INSTALL WITH CONFIDENCE**

\$109¹⁰
INC. GST

Code: 2089



PAN WEDGE

Get the perfect silicone finish to the pan



- Lifts and levels the pan before applying silicone
- 17mm Wide and steps up to 22mm High
- The wedge is invisible once installed

MINI **100 QTY**

Code: 2022 \$38.89

LRG **10 QTY**

Code: 2021 \$38.89

Wax Pan Seal

Repair leaky toilets without removing the pan

- Moulded to shape and ready to use
- Remains flexible
- Suitable for "S" or "P" trap pans

\$24⁶¹ INC. GST
Code: 1882

CHS CHRIS HUNTER SALES

SPILL SAFE

STOP THE SLOP



3 Remove pan

- Turn the pan water to GEL
- No more water spills to clean up

\$7⁵⁵ INC. GST
Code: 2509



RED BACK



WOMBAT

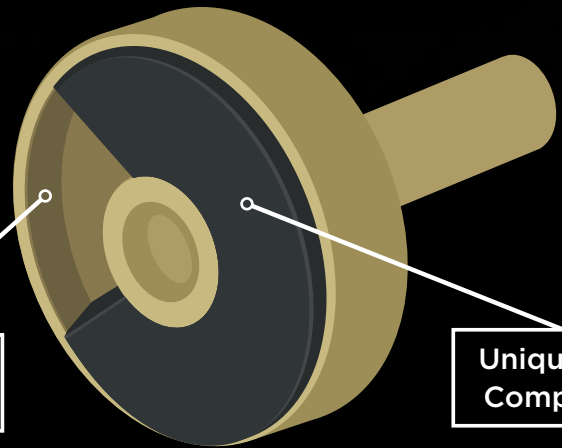
Australian Designed

Brass Shroud prevents spreading and splitting

Tough NP3 compound which is heat resistant and hard wearing

Passes 100,000 cycle test

Complies with AS3718



Protective Brass Shroud

Unique NP3 Compound

10 Pack
Code: 8810

100 Pack
Code: 8811



PATENT PENDING



**PLUMTOOL
BREECH STRAIGHTENER**

- For straightening tap breeches prior to fit off
- Reverse tool to straighten 1/2 B.S.P. lugged elbows
- Patented

Code: 2395

\$63.07
INC. GST



**PLUMTOOL
TAP FLANGE REMOVER**

- Use with your hand to increase grip x 3
- Grips any shaped flange
- Use very carefully with round jaw multi-grips to remove stubborn flanges
- Be sure to grab the rubber on the flap area

Code: 8539

\$18.47
INC. GST



**PLUMTOOL
LONG NOSE PLIERS**

- 270mm long, twice the reach of standard pliers
- Will remove tap washers from even the deepest breeches
- Thin profile to fit into tap bodies

Code: 1667

\$45.05
INC. GST



**PLUMTOOL
FRANZ NUT
SPINDLE CLEANER**

- For cleaning threads on standard tap spindles
- Much cleaner and easier to use than a wire brush.

Code: 9854 **\$44.99**
INC. GST



**PLUMTOOL
FRANZ BONNET CLEANER
T HANDLE**

- For cleaning and straightening the internal thread of tap spindles

Code: 2006 **\$36.66**
INC. GST



**RED BACK
TAP LUBRICANT**

- Working range of between -10°C and 150°C
- Approved for potable water
- 70 gram

Code: 9996 **\$18.08**
INC. GST

**BODY
WASHERS
RED FIBRE
EZ CLEAN**



- For standard taps
- Thin washer for installation of bells

• 23mm ID x 28 OD Bag of 50
Code: 9449 **\$15.44**
INC. GST

O RINGS NO.8.5



- For standard tap repairs
- Number 8.5

• Bag of 100
Code: 9164 **\$15.15**
INC. GST



**TAP RESEATER -
FACE & EDGE CUTTER**

- Removes sharp edges on seats so valves will not stick or tear
- Can be used by hand or with battery drill
- Australian designed, made and owned

Code: 2359 **\$91.81**
INC. GST



**PLUMTOOL
SPINDLE ACCESS DRILL**

- Cuts tiles to allow access to tap body
- Diamond core drill will cut even the hardest of porcelain tiles
- Nylon bush prevents damage to the spindle
- Patented

Code: 1916 **\$128.33**
INC. GST



**STRONGEST
ON MARKET**

**PLUMTOOL
TUBE SPANNER KIT**

- Will not round out under stress
- Kit Contains:
Hex 20mm x 21mm,
Hex 22mm x 23mm,
Hex 29mm x Square 24mm,
Hex 25mm & Hex 28mm,
Turning Bar 230mm
- Made in Germany

Code: 2513 **\$191.44**
INC. GST



**PLUMTOOL
TAP HANDLE PULLER**

- Unique shroud stops slipping
- Holes in arms allow for removal of ezy clean handles
- A must for maintenance plumbers

Code: 1758 **\$72.44**
INC. GST

YOU SPOKE, WE LISTENED!

To continue to make things easier for you to support Trade Only, we've made a few additions to www.plumberschoice.com.au



ORDER TEMPLATES

Save Order Templates

You can now save custom Order Templates.

With just one click, add all the items from your Order Template to your shopping cart. Perfect for fit off packs, hottie kits or end of month stock top ups.



FAVOURITES

Favourite Items

Access to your favourite and most used items on the one page.

No more scrolling through to add the same items you buy every order. Now add them all from the convenience of one page.



QUOTES

Request a Quote

Want some gear quoted?

Haven't had some items priced up by your Sales Rep yet? Well, from the cart page you can now order or request a quote on the gear in your shopping cart.

Don't have an online account yet?

Head to www.plumberschoice.com.au/register/ and sign up today. Order any time from the convenience of your phone or laptop.



TIP OF
THE
MONTH

We'll tip
YOU
when you tip
US!



Every featured story receives a
\$200 Store Credit

Chuck your 40mm Monument PVC Cutters on some 40mm blue line poly. Fits perfectly and leaves a clean cut with no need to debur.



Courtesy -
Wayne Rowlands -
Rowlands Plumbing



Thanks to Wayne - Rowlands Plumbing
\$200 store credit is coming your way

To get involved send us an email info@plumberschoice.com.au

NEW!



PATENTED

BAL RATED DRAINAGE VENT & FLASHING KIT

Kit includes:

- Steel vent and cowl
- BAL rated flashing to suit steel roof
- Steel to PVC insulated adaptor

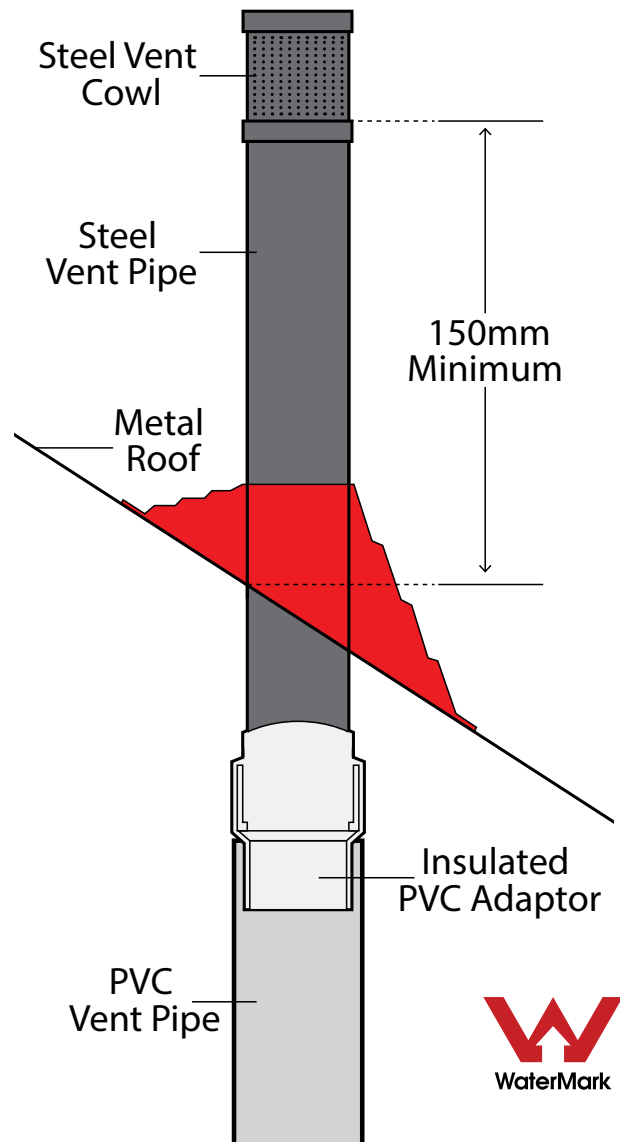
BAL12.5
Black Flashing Kit

Code: **8876**



BAL29
Red Silicone Kit

Code: **8877**



Drainla®

For use on pipework passing through concrete footings

DOES YOUR JOB COMPLY?



DONT GET CAUGHT OUT!

Drainlag complies with AS1345-1995 (Table 1) indicating that pipes containing sewerage and organic waste should be marked black.

Drainlag Black

- 100mm x 10 Metre Roll
- Closed Cell
- Non Absorbant
- Simple to apply to pipe and or fittings
- Complies with the following standards:

Code: 8720

AS3500 3.8.2 (b)

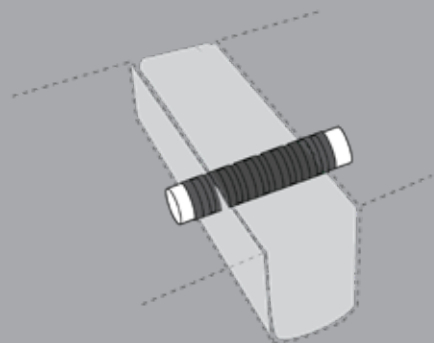
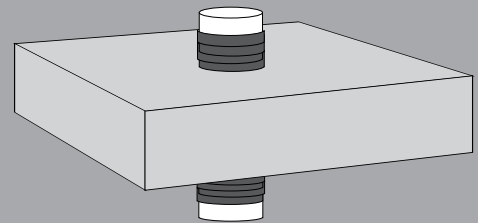
"Shall be installed with not less than 25mm annular space"

AS 1345-1995 (Table 1)

Colour Identification for Sewerage & Organic waste: Black

AS2870 5.5.4 (a)

"Closed cell polyethylene lagging shall be used around all drainage pipes through external footings"



ECO
FRIENDLY
PACKAGING

CHS CHRIS HUNTER
SALES

MADE
FROM
RECYCLED
MATERIALS

NIPPLE CUTTER & CATCHER

- Single piece shaft results in less chattering
- Provides the perfect sealing surface
- Create a flat or chamfered end on the nipple



\$106⁵¹
INC. GST

CODE: 9231

**NEW CLEAR CATCHER
TO SEE HOW FAR YOU
HAVE TO CUT**



TO CREATE THE PERFECT SEALING SURFACE:

STEP 1

Fit the nipple cutter into the clear catcher so that the flat cutting blade is facing the nipple.

STEP 2

Cut the nipple to length using the flat blade.

STEP 3

If required, reverse the tool in the drill. Using the angled blade, cut a chamfer on the nipple.

PIPE CUTTER INTERNAL WITH DIAMOND WHEEL

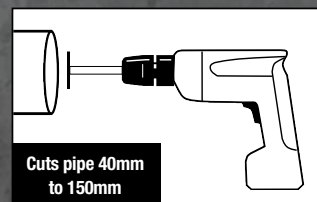
- Will cut pipe from 40mm up to 150mm
- Fits into a battery drill for easy use
- Diamond wheel will not blunt on concrete or tiles
- Extension Bar available to allow cutting at greater depths
- The safe way to cut PVC when close to tiles or brick work

\$46¹⁶
INC. GST

CODE: 1347



**BRILLIANT
TOOL FOR
CUTTING
PVC PIPE**



Cuts pipe 40mm
to 150mm

plumtool™

Innovative tools for **PLUMBERS**



Jacko's Review

Spindle Access Drill

Cuts tiles to allow access to tap body



SPECIAL
\$128.33 INC. GST
Code: 1916
SAVE \$65

Really handy tool. Got us out of some trouble when we had to fix a handy man's rough in job where he also tiled over existing tiles!

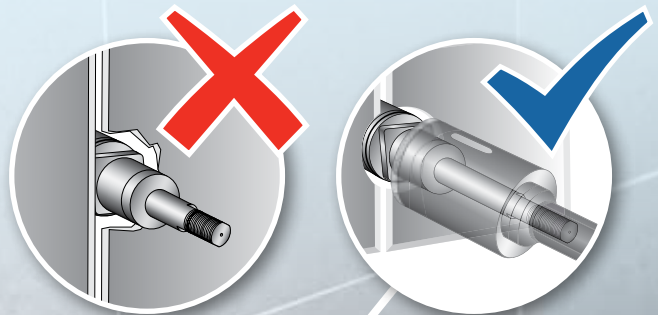
Declan from Declan Smith Plumbing

Quality tool, use it regularly. Great and easy to use.

John from Icon Plumbing & Gas Fitting

Great tool. Does exactly what it is supposed to do. Cuts tiles, tube spanner goes in to get spindles out. Easy!

Dave from Dave The Plumber



plumtool™

**6X
FASTER THAN
ROLLERS &
BRUSHES**

plumtool

Solvent Mates

A better alternative for
applying Priming Fluids
& Solvent Cements

- For use in joining PVC pipes & fittings
- Reduces contact with harsh chemicals
- Avoids mess

\$66⁶⁸
INC. GST
Code: 5609



Glutote

Knocking over your
glue pot can be very
expensive

**STORES
500ml GLUE
& PRIMER**

\$52⁸⁹
INC. GST
Code: 1695

- Also stores Solvent Mate Applicator pair
- Great for hooking onto ladders!
- Spike can be pushed into ground to prevent spillage on uneven surfaces
- Solvent Mate Applicators not included

plumtool

Spike can be pushed into
ground to prevent spillage
on uneven surface.



PATENTED

SADDLE FOR POLY PIPE

WITH MASONRY NAIL

- Suits 25mm PE Pipe
- UV Stabilised



NEW

Keeps pipework off the substrate

BAG
25

\$33⁰¹
INC. GST
Code: 9050



DUALPEX WITH MASONRY NAIL

For 25-32mm Gas Pex Pipe

- Saves time and money by only having to stock one clip

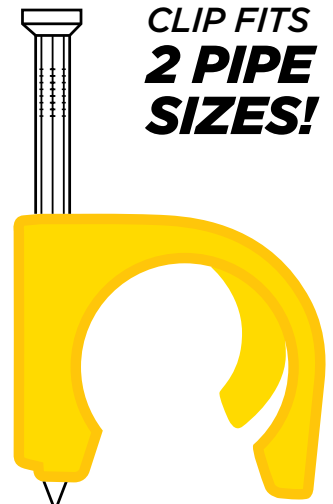
NEW

ONE
CLIP FITS
2 PIPE
SIZES!

\$26⁹⁵
INC. GST
Code: 5530

BAG
25

PATENTED



DUALPEX

WITH NYLON ANCHOR MASONRY NAIL

For 16-20mm Pex Pipe

\$35⁵⁹
INC. GST
Code: 7896

BAG 100

With Nylon Anchor

ALL IN ONE CLIP & PLUG



SADDLE FOR PEX WITH NYLON ANCHOR MASONRY NAIL

For 25mm Pex Pipe

\$21⁴²
INC. GST
Code: 7897

BAG 50

With Nylon Anchor

NEW



DUALPEX

DUAL COPPER SADDLE

WITH MASONRY NAIL

For 1/2" & 3/4" Copper

- Removable insert to fit 3/4" tube
- Saves time and money by only having to stock one clip

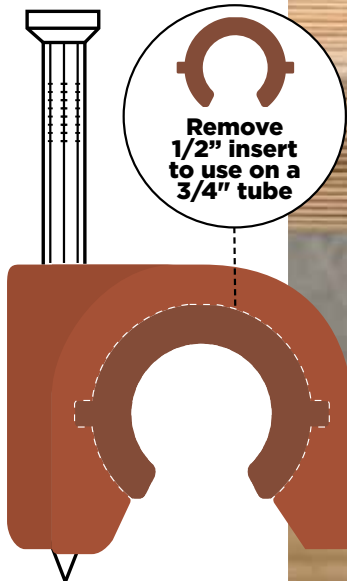
PATENTED

\$39⁹³
INC. GST
Code: 9029

BAG 100

NEW

Remove 1/2" insert to use on a 3/4" tube



CAMERA DRAIN CAPS

WHITE

Diameter to fit perfectly with a 35mm hole saw

\$36.42
INC. GST
Code: 4807

- Can be used for round PVC downpipes
- Flexible PVC to ensure a flush fit on any surface
- Ribbed outer to eliminate any escape of water after inspection
- Easily removed for re- inspection
- UV stabilised

**QTY
50**



TRAP DRILL

Drills & Deburs in **ONE** action

Code: 2601 **\$66.37**



**SAFETY STOP
PREVENTS OVER
DRILLING**

plumtool™

For Drilling hole in trap in preparation for connecting dishwasher. Made from high quality, high speed steel.

FLUNDY TRAP CAP

Exclusive to Plumbers Choice

Code: 2794 **\$17.14**



**NO MORE
DRILLING TRAPS
INTO POSITION**

Temporary Trap Cap. Allows you to leave the trap ready for appliance connection at a later date.

BRASS COVER PLATES



Rough Brass
1/2 Inch BSP
Code 4001



Rough Brass
3/4 Inch BSP
Code 4002



Rough Brass
for Corrugated
1/2" BSP
Code 4005



- Foam backing moulds to any position on corrugate, Keeps bugs out
- Rough brass cover plate matches the hose bib to leave a professional finish
- Will not rust outdoors



All Brassware complies with AS3688

PRICES INC. GST

WE STILL HAVE STOCK

DESPITE THE NATIONAL SILICONE SHORTAGE



HIGH PERFORMANCE FLEXIBLE MS SEALANT AND ADHESIVE

GREY Code: 8225 • **WHITE** Code: 9845 • **BLACK** Code: 8226



- UV resistant, absorbs acoustic and mechanical vibrations
- Highly flexible with up to 400% elongation
- Sticks and seals all common building materials, even in the wet
- Contains zero solvents and is non-bubbling
- +/-25% cyclic expansion and low VOC
- Interior and exterior use

ROOF & GUTTER SILICONE



TRANSLUCENT 300g

- Bostik Quality
- Ideal for sealing sheet metal, roofing & guttering
- Potable water approved AS4020-1999
- Neutral Cure
- Non-Corrosive

Code: 9926

**BOX
20**

GREY 300g

- Bostik Quality
- Ideal for sealing sheet metal, roofing & guttering
- Potable water approved AS4020-1999
- Neutral Cure
- Non-Corrosive

Code: 9953

**BOX
20**

BLACK 300g

- Bostik Quality
- Ideal for sealing sheet metal, roofing & guttering
- Potable water approved AS4020-1999
- Neutral Cure
- Non-Corrosive

Code: 9812

**BOX
20**

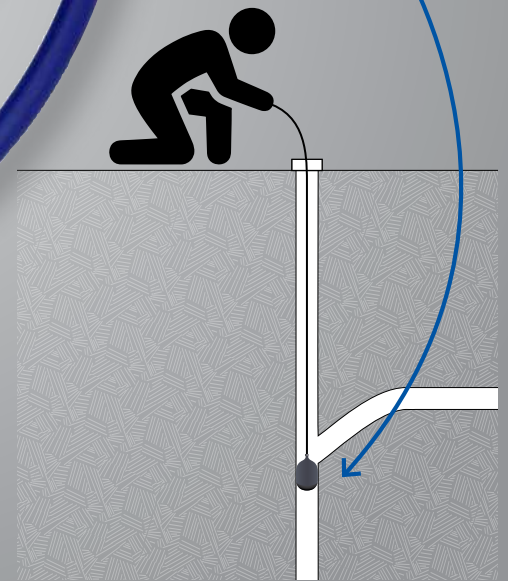
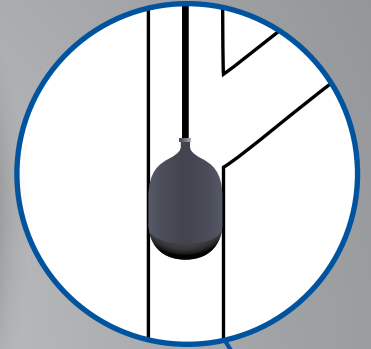
INFLATABLE TEST PLUG 100MM

- Equipped with 2.5m hose
- To suit 100mm PVC
- Inflate with car pump
- Can be used down an inspection shaft

Code: 2009

\$105.67

**Equipped with
2.5m hose**



TEST PLUG RIGHT ANGLED WITH HANDLES 100mm

- Keeps hands out of the drain
- A breeze to install
- Cannot be lost down drain
- The only plug to use when testing at a right angled junction
- Cast Aluminium
- Patented

Code: 2004

\$153.16



NEW

Same price as a traditional luggie!

BLOCK HEAD



BLOCKHEAD LUGGED ELBOW

- Reduce the number of noggins required
- Can press it while in place
- Fix it from any direction
- Lead free brass
- 25 year warranty



PATENTED

I hate cutting noggins, what's not to like?

Tim - Jonesy's Plumbing

Finally a luggie that can be pressed when screwed in place

Matt - MWP & E

Blockhead Press
Water Elbow Lugged
15mm x 15MI (90mm)
Code: 8699

Blockhead Press
Gas Elbow Lugged
15mm x 15MI (90mm)
Code: 8698



Traditional Fix

Plumber's Noggin



Stud Fix

Fix to side of studs



Existing Noggin

Fix to carpenter's noggin

BRASSHARDS

EST. 1967



| PLUMBING SUPPLIES SPECIALIST |

Under licence no. 2001

SPECIAL

TOP ASSEMBLIES

BASIN SET EZ CLEAN ANTI-VANDAL C/P

- Complies with Australian Standards
- WELS Rated

Code: 3700

ONLY
\$55.00
INC. GST



WALL TOP ASSEMBLY EZ CLEAN ANTI-VANDAL C/P

- Complies with Australian Standards
- WELS Rated

Code: 3704

ONLY
\$26.40
INC. GST



BASIN TOP ASSEMBLY EZ CLEAN ANTI-VANDAL C/P

- Complies with Australian Standards
- WELS Rated

Code: 3707

ONLY
\$26.40
INC. GST



WALL TOP ASSEMBLY CERAMIC DISC

- EZ Clean Anti-Vandal C/P
- Complies with Australian Standards
- WELS Rated

Code: 3710

ONLY
\$49.95
INC. GST

WITH
CERAMIC
DISC



Valid until 28th February 2022

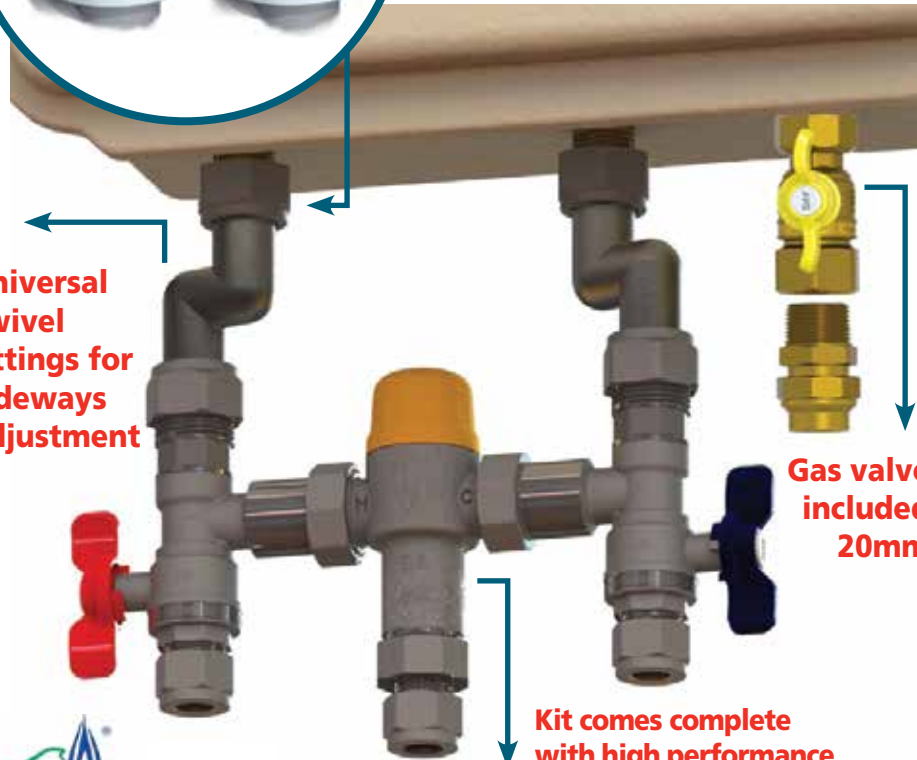
AW AUSTWORLD

Quickie Kit



Connections to unit allow for height adjustment

Universal swivel fittings for sideways adjustment



Gas valve included 20mm

Kit comes complete with high performance tempering valve



24 Month warranty



Insulation & cable ties provided to comply with AS3500

Fit-off a hot water service in minutes!
Suits all instantaneous hot water services.

15mm outlet & tempering valve Code: 8300 | 20mm outlet & tempering valve Code: 8301

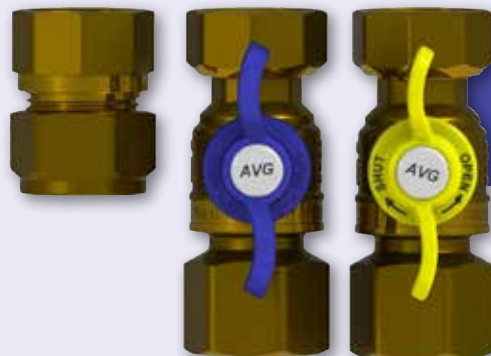
Andrew from AMT Plumbing in Bayswater said:

I recently tried the Quickie Kit on an install. I reckon it saved me at least 30-45 minutes. The insulation and cable ties included in the kit made for a nice neat finish. Everything I needed was there.

Loose Nut Ball Valve Kit with Union

- Gas 20mm loose nut x 20mm female
- Water 20mm loose nut x 20mm female
- Outlet fitting 20Fi x 20C

Code: 8306



Instantaneous Continuous Flow Kit



SPECIFICALLY DESIGNED FOR CUTTING PVC



**30% MORE
EFFICIENT THAN
STANDARD BLADES**

**CUTS STRAIGHT
EVERYTIME**

**BATTERIES
LAST LONGER**

**CUT IS FREE
OF BURRS**



SAMURAI RECIPROCATING SAW BLADE PVC

• 210mm • 16TPI • Made in Japan

**AVAILABLE IN A
BOX of 10**

\$19.51 EACH
INC. GST

Code: 9632

COPPER ROUNDING TOOL

NEW

3/4" \$55.64
INC. GST

Code: 9898

Suitable for 3/4" copper tube

1/2" \$52.88
INC. GST

Code: 9988

Suitable for 1/2" copper tube

- Saves time
- Nuts slide on easily
- Great frustration saver
- Lightweight and compact

**ROUNDS
OUT
COPPER IN
SECONDS!**



plumtool™

Innovative tools for **PLUMBERS**

BRASS STUBBIE TEST CAP



Sometimes shorter is better!

1/2 Inch Brass

- The only multiple use test cap on the market
- Shorter, makes it easier to install cabinets
- Never leaks or fails
- Indestructible

\$7.52 each
INC. GST
Code: 4804

BAG
10



Can be removed with a screw driver or shifter

SINGLE USE TEST CAPS



STUBBIE TEST CAP

- Easier to install cabinets
- Can be removed with screwdriver or shifter
- Safer high visibility
- Available in a bag of 100

\$1.27 each
INC. GST
Code: 4803



TEST PLUG DUO RED

- Duo plug and cap combination
- For testing hot and cold water installations
- 5/8 BSP Male Plug
- 1/2 BSP Female Cap

\$2.77 each
INC. GST
Code: 5052



TEST CAP DRAINABLE

- Small removable plug for easy drainage of water line
- Eliminates spilling inside wall cavity

\$2.61 each
INC. GST
Code: 5053

REPAIR CLAMPS

INTRODUCING

REPAIR CLAMP FOR COPPER 15mm

- Stainless Steel Band Simple to install
- Suits 1/2 inch copper
- Made from 316 stainless steel
- Full circle nitrile rubber gasket
- Pressure rating of 1600kPa
- Approved for use in potable water supply



Code: 5060

REPAIR CLAMP FOR COPPER 20mm

- Stainless Steel Band Simple to install
- Suits 3/4 inch copper
- Made from 316 stainless steel
- Full circle nitrile rubber gasket
- Pressure rating of 1600kPa
- Approved for use in potable water supply



Code: 5061

REPAIR CLAMP FOR COPPER 25mm

- Stainless Steel Band Simple to install
- Suits 1 inch copper
- Made from 316 stainless steel
- Full circle nitrile rubber gasket
- Pressure rating of 1600kPa
- Approved for use in potable water supply



Code: 5062

REPAIR CLAMP FOR COPPER 32mm

- Stainless Steel Band Simple to install
- Suit 1 1/4 inch copper
- Made from 316 stainless steel
- Full circle nitrile rubber gasket
- Pressure rating of 1600kPa
- Approved for use in potable water supply



Code: 5063

REPAIR CLAMP FOR GAL PIPE 20mm

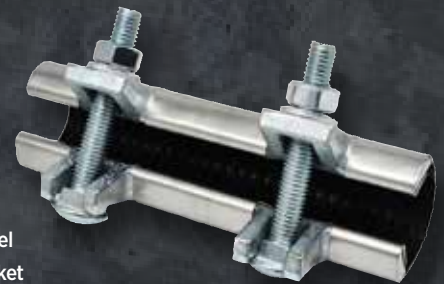
- Stainless Steel Band simple to install
- Suits 3/4 inch galvanised pipe
- Made from 316 stainless steel
- Full circle nitrile rubber gasket
- Pressure rating of 1600kPa
- Approved for use in potable water supply



Code: 5064

REPAIR CLAMP FOR GAL PIPE 25mm

- Stainless Steel Band simple to install
- Suits 1 inch galvanised pipe
- Made from 316 stainless steel
- Full circle nitrile rubber gasket
- Pressure rating of 1600kPa
- Approved for use in potable water supply



Code: 5065



BLACK COVER PLATES

Powder coated black metal. Professional architectural finish.



Flat

1/2 Inch BSP Flat

Pack Qty 1 | Code 4018 | \$12.76ea



Flat 40mm

40mm PVC Flat

Pack Qty 1 | Code 4019 | \$20.67ea



Square Flat

1/2 Inch BSP Flat

Pack Qty 1 | Code 4025 | \$19.44ea



10mm Rise

1/2 Inch BSP 10mm Rise

Pack Qty 1 | Code 4015 | \$13.46ea



Flat 50mm

50mm PVC Flat

Pack Qty 1 | Code 4020 | \$20.67ea



Square Rise

1/2 Inch BSP 10mm Rise

Pack Qty 1 | Code 4026 | \$19.44ea

Shower Mixer Fixer

90mm Hole | 300mm x 200mm

Pack Qty 1 | Code 2993 | \$134.82ea

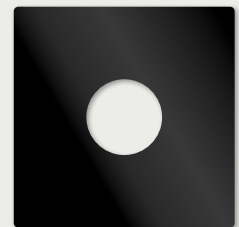


Black TILER'S BOO BOO



90mm Round

Pack Qty 1 | Code 6173 | \$19.83ea



90mm Square

Pack Qty 1 | Code 6172 | \$20.32ea



UV STABILISED BLACK NYLON TAP-INS WILL NOT FAIL!



Weather affected Nylon Tap-Ins are a thing of the past!

Will not fail when exposed to the sun

Decero coated nails will not rust
(exceeds 1000 hour salt spray test)



**BOX
500**

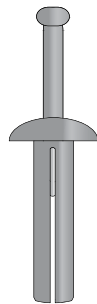


**NYLON TAP-INS
- UV BLACK**

- For outdoor use
- Black Nylon UV stabilised will not perish

CODE	LENGTH	QTY	PRICE
9524	5mm x 25mm	500	\$81.76
1187	5mm x 40mm	500	\$ 114.41

**BOX
100**

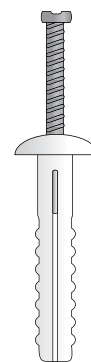


**METAL TAP-INS
- MUSHROOM HEAD**

- Strong cast alloy

CODE	LENGTH	QTY	PRICE
9387	5mm x 25mm	100	\$34.46
1967	6.5mm x 25mm	100	\$43.81
1968	6.5mm x 32mm	100	\$46.72
1705	6.5mm x 40mm	100	\$49.51

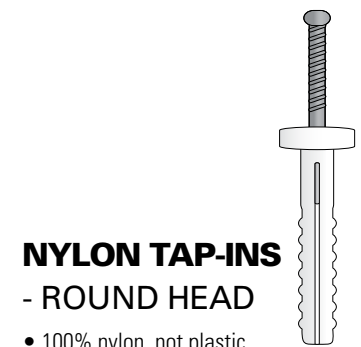
**BOX
100**



**NYLON TAP-INS
- MUSHROOM HEAD**

- 100% nylon, not plastic

CODE	LENGTH	QTY	PRICE
9345	5mm x 25mm	100	\$15.09
9925	6.5mm x 50mm	100	\$20.90



**NYLON TAP-INS
- ROUND HEAD**

- 100% nylon, not plastic

CODE	LENGTH	QTY	PRICE
9978	5mm x 25mm	100	\$14.78
9907	5mm x 25mm	500	\$65.24
9179	5mm x 40mm	100	\$21.14
9973	5mm x 40mm	500	\$90.51
9567	6.5mm x 25mm	100	\$15.35
2262	6.5mm x 40mm	100	\$22.07

*All prices include GST

MONUMENT PVC CUTTERS



QUICK & CLEAN CUT!



**PIPE CUTTER
AUTOCUT MONUMENT
50MM PVC**

\$53⁰²

INC. GST
Code: 2645



**PIPE CUTTER
AUTOCUT MONUMENT
40MM PVC**

\$49⁷²

INC. GST
Code: 2644

- Quality UK designed & made 
- Quick and clean cut
- Light weight
- Ideal for confined spaces
- Spare blades available



PIPE CUTTER SPARE BLADES
For Monument PVC Autocutters Per 5

- Spare blade suits both 40 & 50mm cutters

\$17⁰⁵

INC. GST
Code: 2646

MONUMENT TOOLS